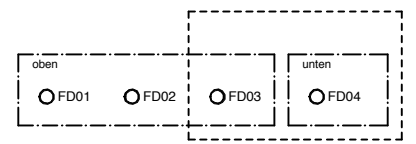
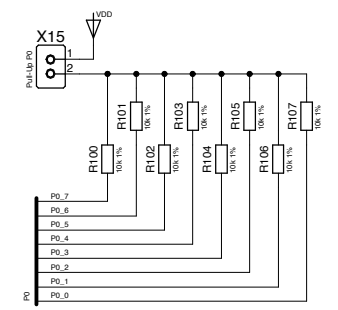
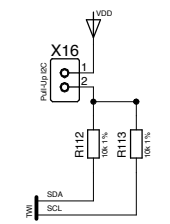
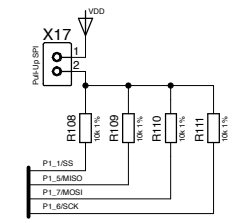
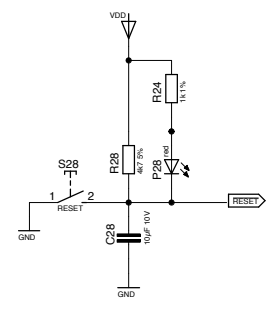
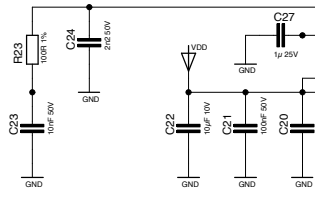
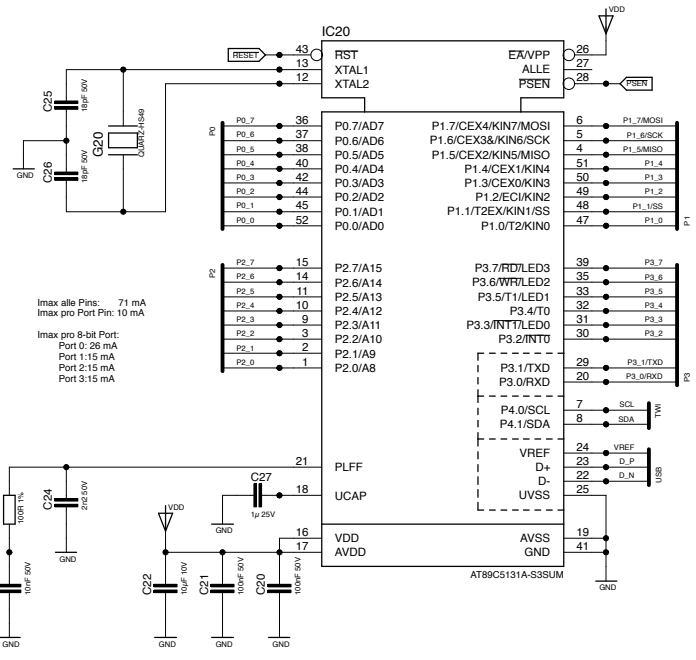
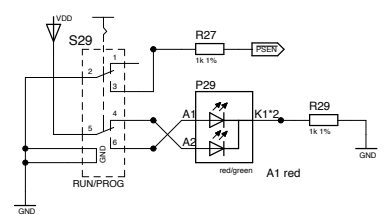
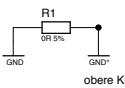
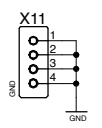
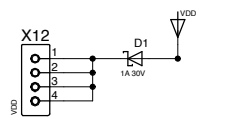
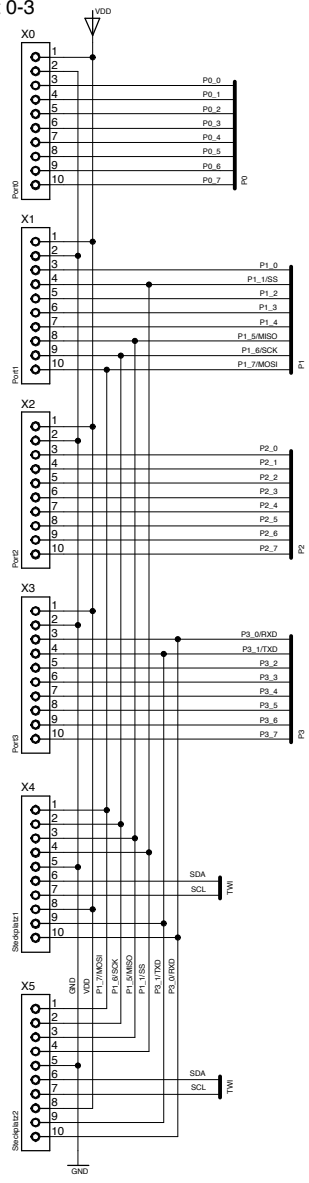
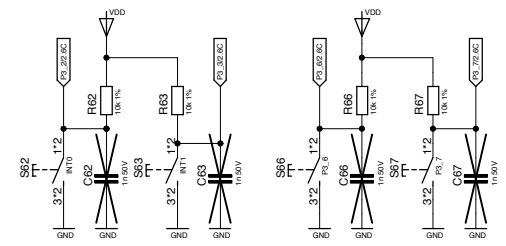
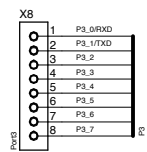
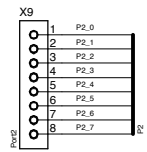
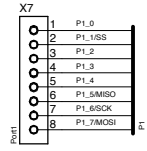
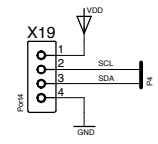
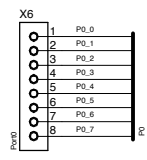
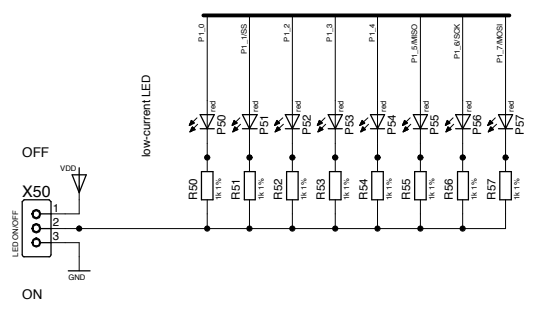


Port 0-3

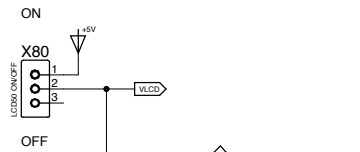




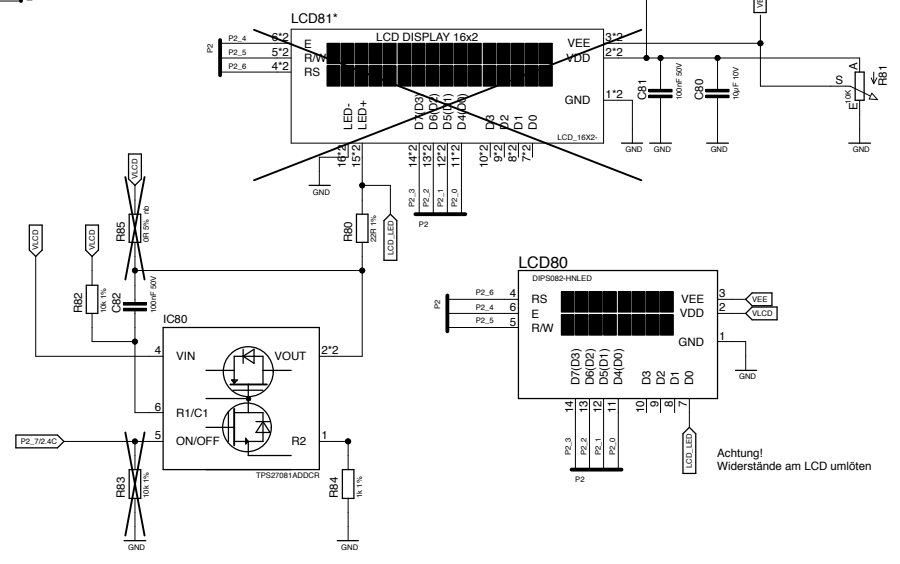
C62, C63, C66, C67  
nicht bestückt



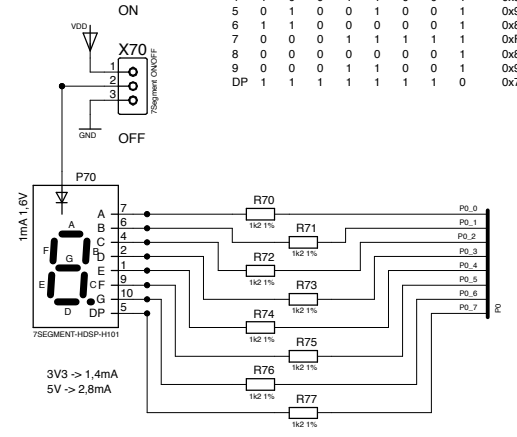
low-current LED



	A	B	C	D	E	F	G	DP	
0	0	0	0	0	0	0	1	1	0xC0
1	1	0	0	1	1	1	1	1	0xF9
2	0	0	1	0	0	1	0	1	0xAA
3	0	0	0	0	1	1	0	1	0x84
4	1	0	0	1	1	0	0	1	0x99
5	0	1	0	0	1	0	0	1	0x92
6	1	1	0	0	0	0	0	1	0x83
7	0	0	0	1	1	1	1	1	0xF8
8	0	0	0	0	0	0	0	1	0x80
9	0	0	0	1	1	0	0	1	0x98
DP	1	1	1	1	1	1	0		0x7F

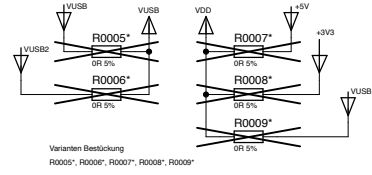


Achtung!  
Widerstände am LCD umlöten



1mA 1.6V

3V3 -> 1,4mA  
5V -> 2,8mA



	R0005	R0006	R0007	R0008	R0009
SB-004	--	--	--	--	--
SB-005	--	--	--	--	X

